

Application "FK8" plastic laminar ring carrier seals

Outside clamping plastic ring carrier seals made from Polyamide 6 (PA6), also available with mineral fibre fortification, are used to seal roller bearings against grease leakage or dirt and splash water ingress in vehicle axles as well as rollers and wheels for all equipment types, engines in transport technology, motion sequences in construction equipment and agriculture machines.

Ring carrier seals in accordance with design 01 and 02 have spring-loaded, flexible sealing lips. This has advantages if splash water can frequently be expected in the sealing area.

Plastic ring carrier seals are also suitable as a protection seal in front of radial shaft seal arrangements.

Materials

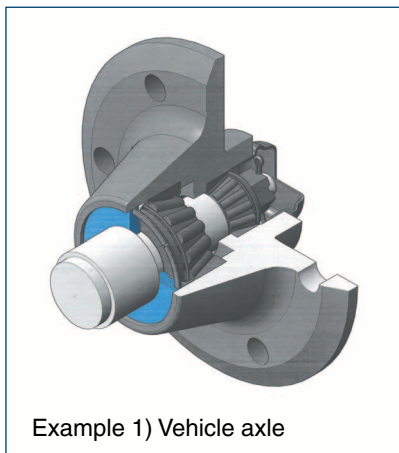
Plastic type	reinforced design	Application temperature	Laminar ring material
PA6 (Polyamide 6)	-	-40°C to 120°C ¹⁾	C75S - DIN 1.0605 ³⁾ CrNi - DIN 1.4310 ³⁾
PA6 ²⁾ (Polyamide 6)	Mineral fibre reinforced	-40°C to 120°C ¹⁾	CrNi - DIN 1.4571 ³⁾

¹⁾ Temperature resistance at -40°C to +120°C unlimited, short term temperature resistance at max. +150°C.

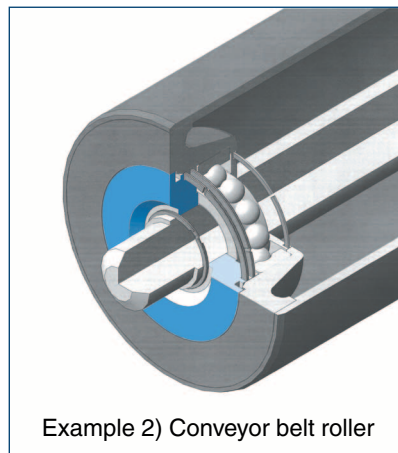
²⁾ Not all ring carrier sizes are available with the reinforced design; for details please contact our technical office.

³⁾ Depending on the requirements, the following laminar ring materials are available; please include the laminar ring material in your order.

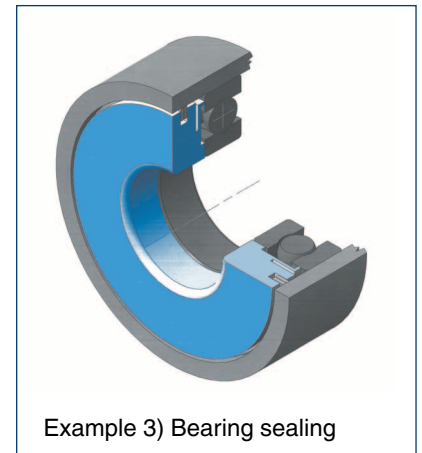
Application examples:



Example 1) Vehicle axle

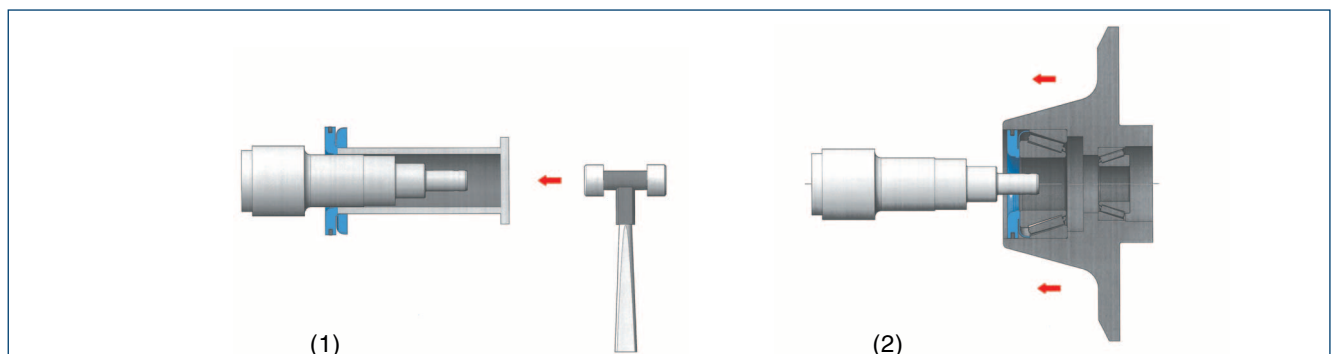


Example 2) Conveyor belt roller



Example 3) Bearing sealing

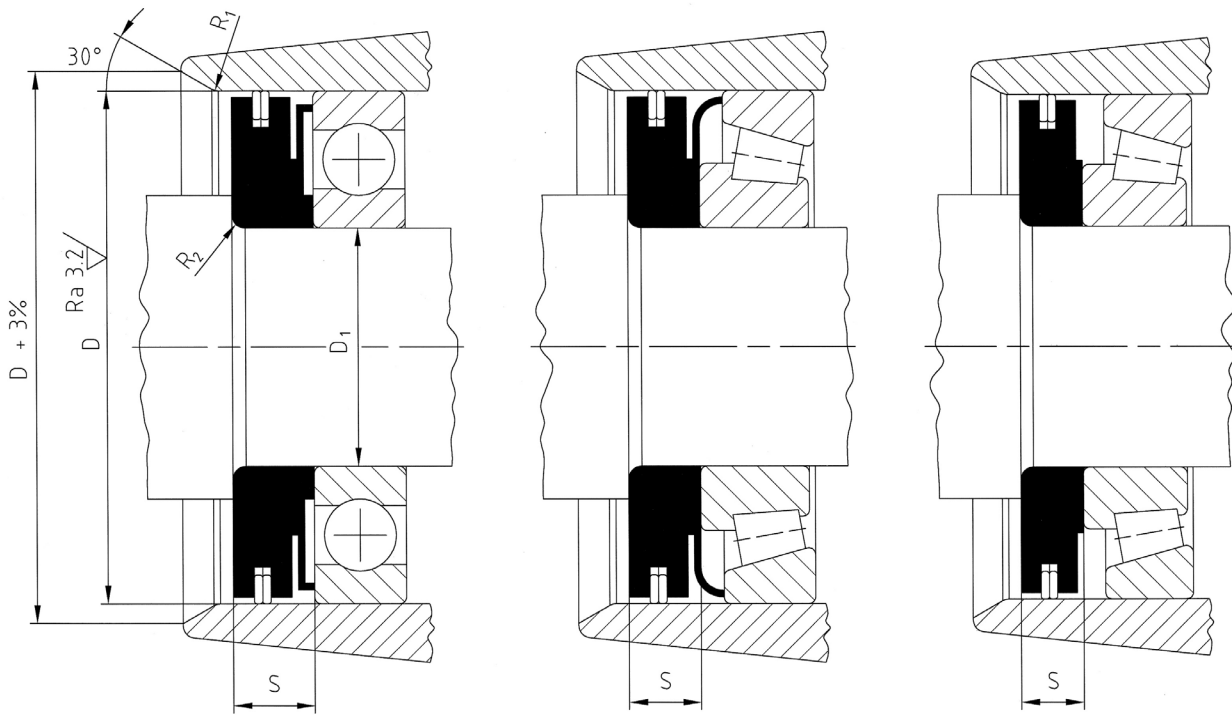
Installation:



In general, the ring carriers can be moved by hand by lightly tapping with a mallet (1) onto the axle stub. The ring carrier should initially be moved onto the hub (2) if an installation slope is undesired or only a small slope is available.

Run and installation tests:

Run and installation tests under operating conditions must be performed in each case before standard production of our ring carrier seals can begin to determine whether the desired sealing effects can be achieved.



Design 01:
Ring carrier with a short
sealing lip for symmetrical
roller bearings

Design 02
Ring carrier with a long
sealing lip for tapered
roller bearings

Design 03:
Ring carrier without
sealing lip

Design			Bore		Shaft		Ring carrier		Order information	
01	02	03	D	R ₁	D ₁	R ₂	S	Material	Product number	
●			47	1	20	1	7.7	PA6 (Polyamid 6)	472077 R1	
●			47		25	2	7.7		472577 R1	
●			52	2	25	3	6		52256 R1	
●			62		30		7		62307 R1	
●			72		35		7		72357 R1	
	●		52	1	25	PA6 (Polyamid 6)	6		52256 K1	
	●		55		30		7		55307 K1	
	●		62	2	30		7		62307 K1	
	●		62		35		7		62357 K1	
	●		72		35		7		72357 K1	
		●	80	2	40		3.5		7	80407
		●	85		45		4		7	85457
		●	90	3	50		3.5		6	90506
		●	90		50		4		7.5	905075
		●	100		55				4	8
		●	110	3	60		5		8	110608
		●	120		65				4.5	9
		●	125	3	70		6		10	1257010
		●	125		80				5	10
		●	140	3	80		6		9	140809
		●	150		85			6	14	1508514
		●	150	3	100		6	14	15010014	
		●	150		100			6	14	15010014

All dimensions in mm

Attention: Please refer to the information on pages 2, 38, 39, 40 and 41 (questionnaire).

For inquiries and orders, please provide the bore diameter "D" and the product number; additionally, please provide information about the operating temperature.